

Deluxe Exhaust Fan

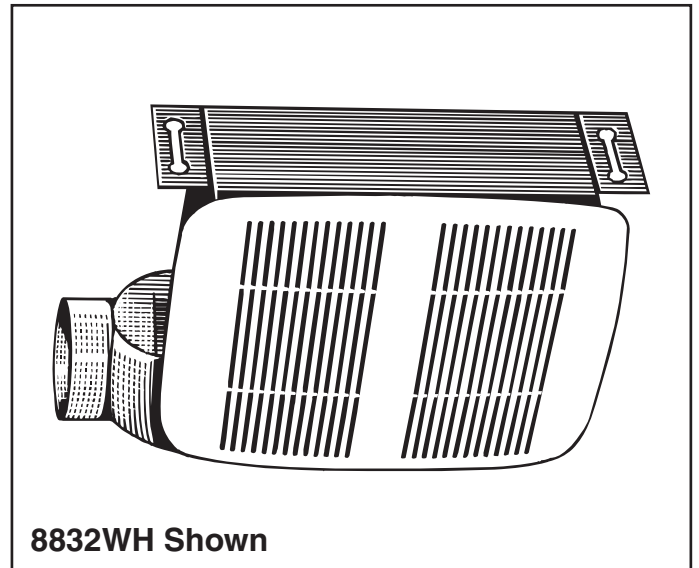
MODEL 8832 SERIES

DESCRIPTION

- Designed for bathrooms up to 75 sq. ft. (6.7 m²), dressing or other rooms up to 100 sq. ft. (9.3 m²).
- One-piece sculptured intake grille available in white or silver anodized aluminum, which adjusts for various ceiling or wall thicknesses.
- Centrifugal blower wheel channels air to the outside through 3" (7.6 cm), round duct.
- Mounting brackets facilitates installation between 16" (40.6 cm) or 24" (61 cm) o.c. joists or studs.
- Built-in precision-fit non-metallic damper. Plug-in motor 'floats' on sound-absorbent cushions.
- Refer to NuTone's catalog for a complete listing of accessories to effectively adapt this Exhaust Fan to your construction requirements.

DESIGN FEATURES

- Air Delivery:** 80 CFM (38 LS).
Sound Level: 2.5 Sones.
Dimensions: **Housing:** 8½" x 9" x 4" deep (21.6 cm x 22.9 cm x 10.2 cm).
- Material & Finish:** **Housing:** Galvanized steel.
Grille: Model 8832SA: silver anodized aluminum. 8¾" x 10½" (21.9 cm x 27.3 cm).
Model 8832WH: white polymeric. 9¾" x 10¾" (23.8 cm x 27.3 cm).
- Motor:** Plug-in, thermally protected.
Blower Wheel: Polymeric.
Duct Size: 3" diameter (7.6 cm).
Electrical Rating: 120v, 60Hz, .75A.



INSTALLATION

- Complete installation instructions are included with each unit.

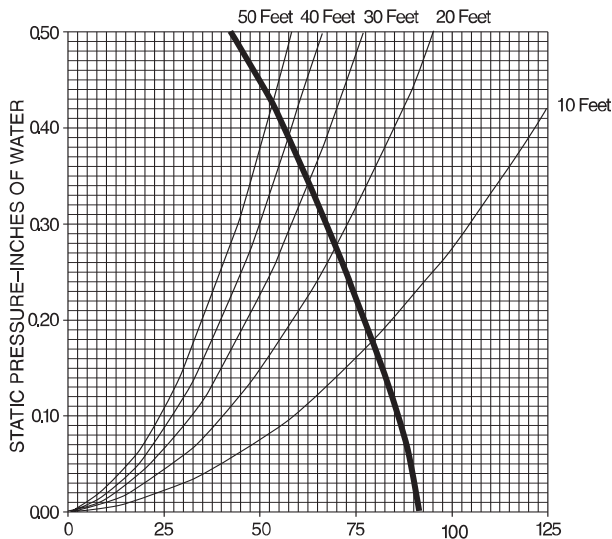
ARCHITECT'S SPECIFICATIONS

Deluxe Exhaust Fan(s) shall be NuTone Model Number 8832SA or 8832WH as manufactured by NuTone according to listed specifications. Housing shall be 8½" x 9" x 4" (21.6 cm x 22.9 cm x 10.2 cm) deep and unit shall ventilate at 80 CFM at a sound level of 2.5 Sones, and shall connect to 3" (7.6 cm) diameter duct.

The air delivery of a ventilating system may be determined by:

1. Determine the equivalent duct length for each 90 degree elbow by adding one foot of duct length for each inch of duct diameter, i.e., a 4 inch diameter duct elbow equals 4 feet equivalent duct length and an 8 inch diameter duct elbow equals 8 feet equivalent duct length.
2. Add the total straight length of duct and the equivalent length for each elbow to obtain the total equivalent duct length.
3. Locate the intersection of the fan performance curve and the total equivalent duct length curve and draw a vertical line down to the CFM scale and read the system air performance.

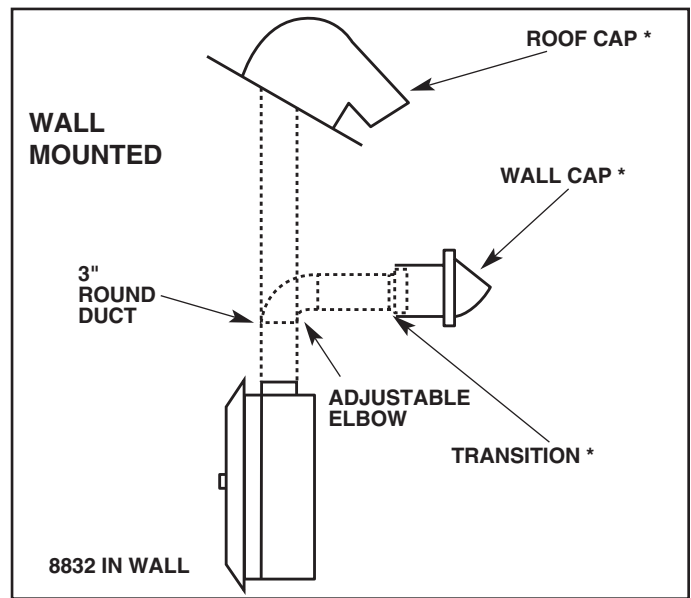
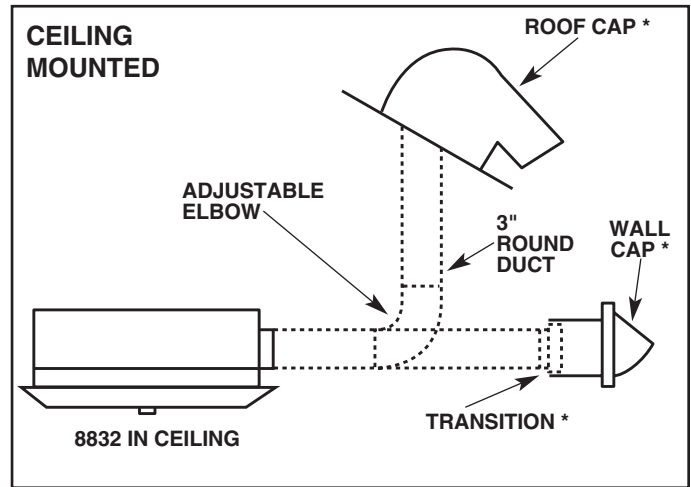
AIR PERFORMANCE CURVE
3 In. Duct



AIR FLOW - CUBIC FEET PER MINUTE

0.05	0.1	0.125	0.15	0.20	0.25	0.30	0.35	0.40	0.45	0.52	Static Press. (Inches of water)
83	80	78	74	70	66	61	56	47	32	0	CFM
39.1	38	37	34.9	33	31.1	28.7	26.4	22.1	15.1	0	LS

Typical installations:



CERTIFIED TEST DATA



HVI-2100 CERTIFIED RATINGS comply with new testing technologies and procedures prescribed by the Home Ventilating Institute, for off-the-shelf products, as they are available to consumers. Product performance is rated at 0.1 in. static pressure, based on tests conducted in AMCA's state-of-the-art test laboratory. Sones are a measure of humanly-perceived loudness, based on laboratory measurements.



This model is listed by Underwriters' Laboratories Inc. and certified by the Canadian Standards Association.

***Optional accessory items available. Please refer to the NuTone catalog or website (www.NuTone.com) for complete listing.**

Product specifications subject to change without notice.